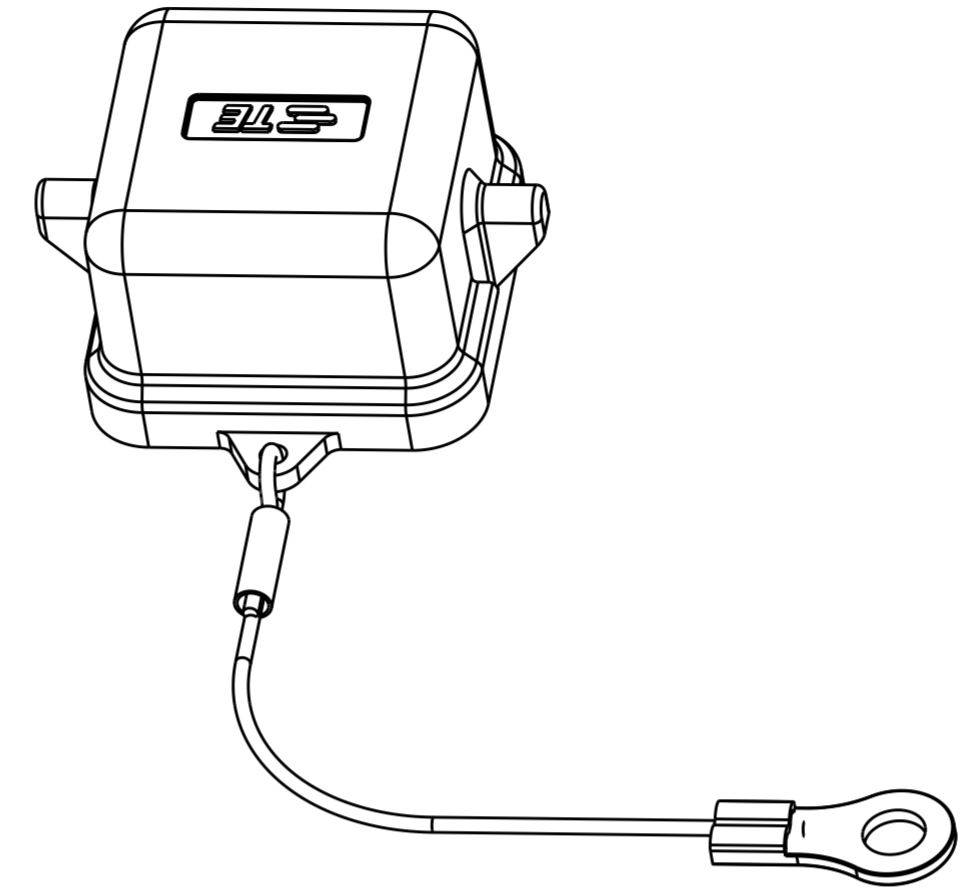
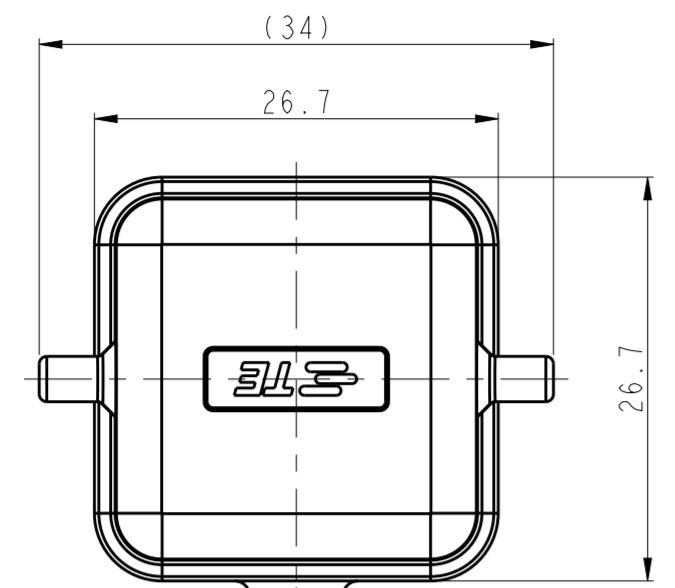


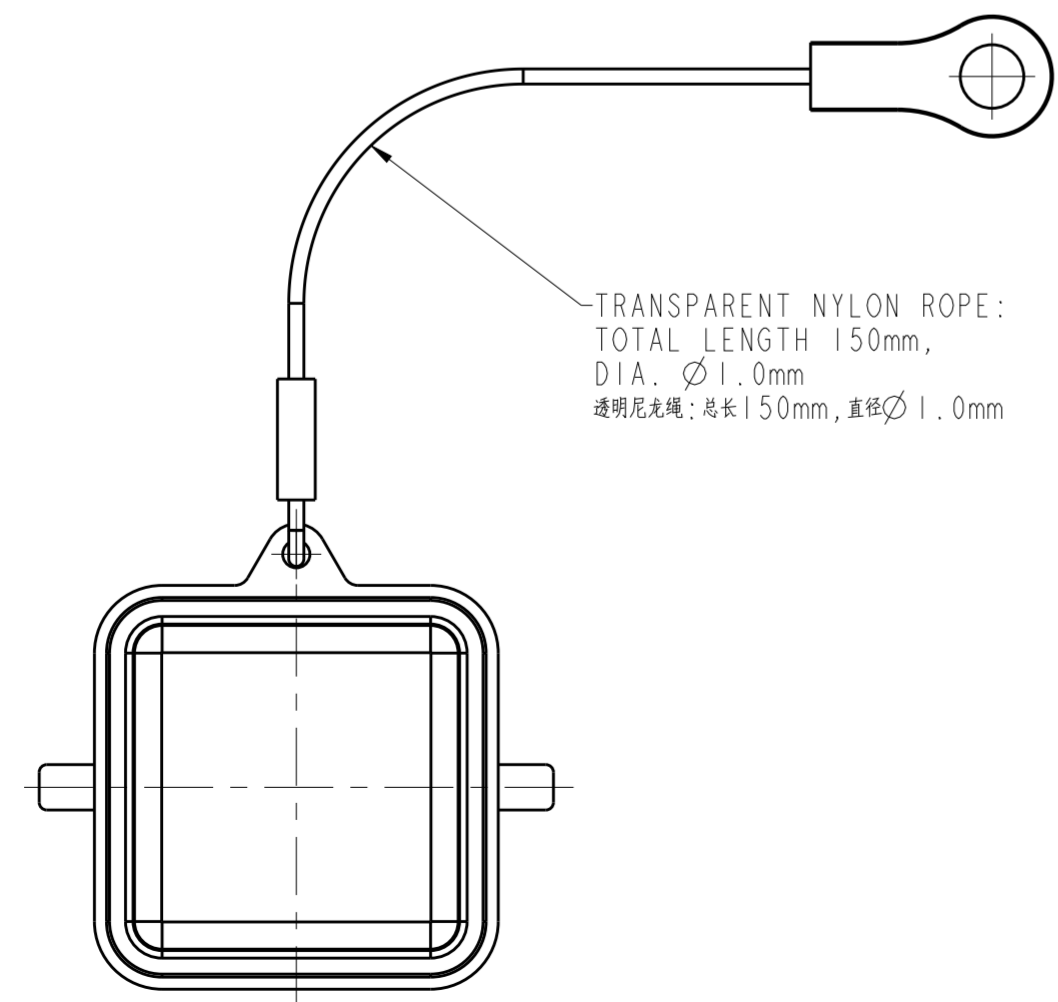
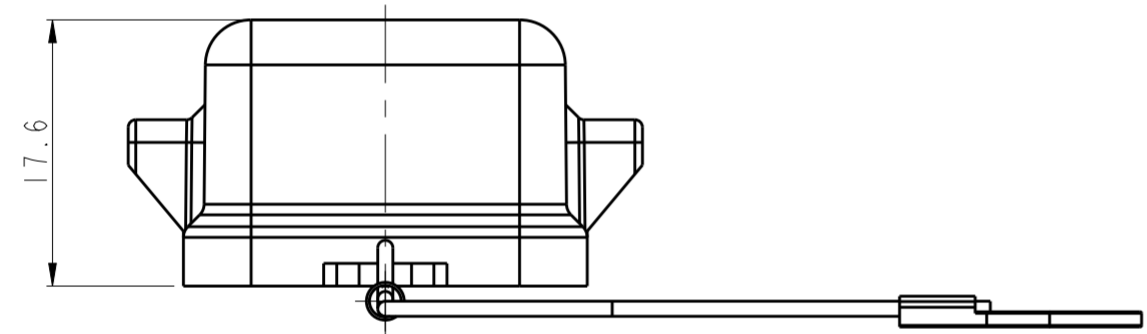
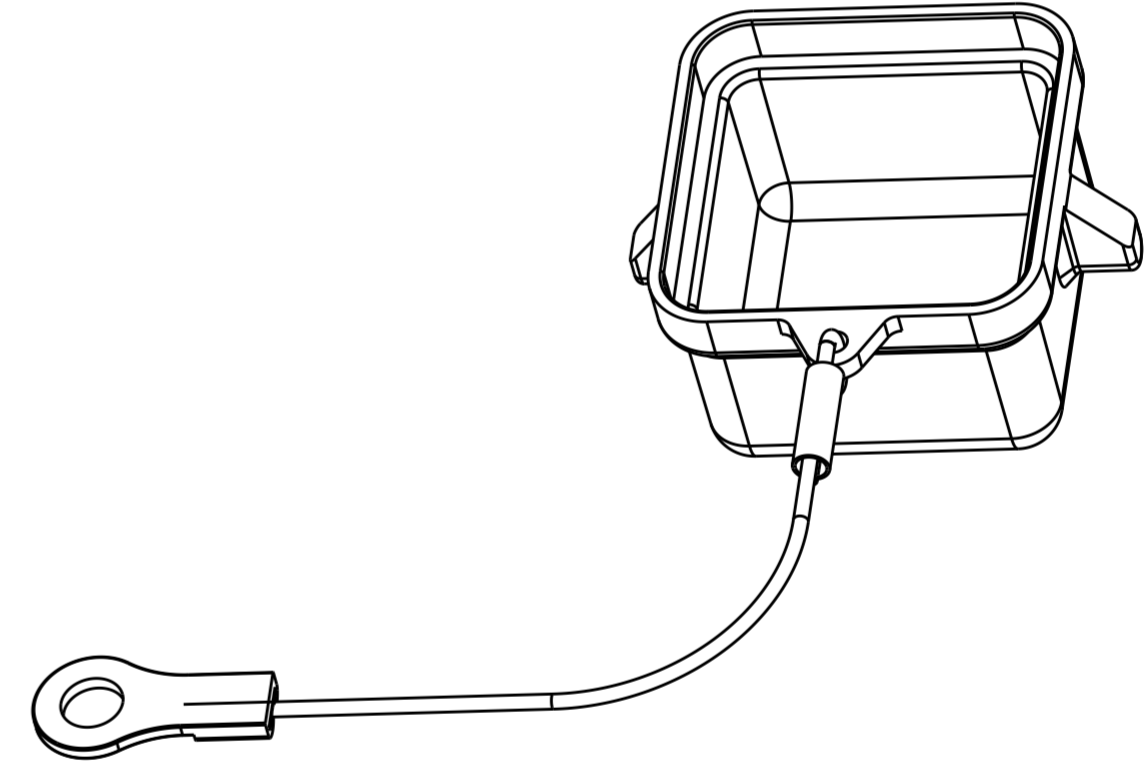
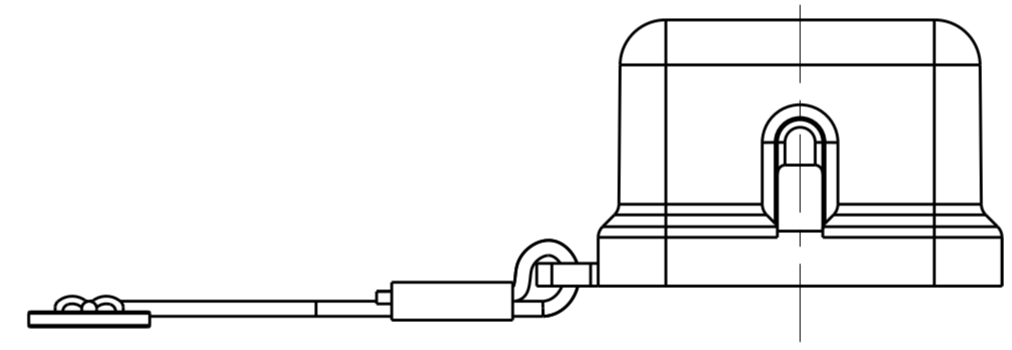
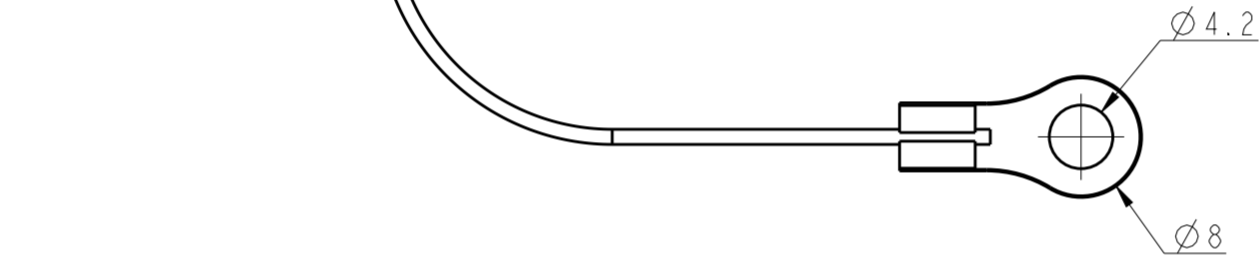
THIS DRAWING IS UNPUBLISHED. RELEASED FOR PUBLICATION  
 © COPYRIGHT copyright dbTe ALL RIGHTS RESERVED.

REVISIONS				
P	LTR	DESCRIPTION	DATE	APVD
	A	INITIAL	11 JUL 2017	CH CW



NOTES:  
 1. TECHNICAL CHARACTERISTICS:  
 COVER MATERIAL: PC, COLOR SEE TABLE

注释:  
 1. 技术参数:  
 保护盖材质: PC, 颜色见表格.



TRANSPARENT NYLON ROPE:  
 TOTAL LENGTH 150mm,  
 DIA. Ø1.0mm  
 透明尼龙绳: 总长150mm, 直径Ø1.0mm

T1010032200-000	H3A-KDBP-NRG	H3A HOUSING PLASTIC PROTECTION COVER, 2 EAR, WITHOUT SEALING, NYLON ROPE, GREY H3A下壳塑料保护盖, 2耳, 不带密封, 尼龙绳, 灰色
T1010033200-000	H3A-KDBP-NR	H3A HOUSING PLASTIC PROTECTION COVER, 2 EAR, WITHOUT SEALING, NYLON ROPE, WHITE H3A下壳塑料保护盖, 2耳, 不带密封, 尼龙绳, 白色
PART NUMBER 料号	PART DESCRIPTION 描述	

THIS DRAWING IS A CONTROLLED DOCUMENT.		DWN CHARLIE HU 11 JUL 2017	TE Connectivity															
DIMENSIONS: mm		CHK GINO YAO 11 JUL 2017																
TOLERANCES UNLESS OTHERWISE SPECIFIED:		APVD CHRIS WANG 11 JUL 2017	NAME H3A-KDBP-NR/H3A-KDBP-NRG															
<table border="1"> <tr><td>0 PLC</td><td>±</td></tr> <tr><td>1 PLC</td><td>±</td></tr> <tr><td>2 PLC</td><td>±</td></tr> <tr><td>3 PLC</td><td>±</td></tr> <tr><td>4 PLC</td><td>±</td></tr> <tr><td>ANGLES</td><td>±</td></tr> <tr><td>FINISH</td><td>±</td></tr> </table>		0 PLC	±	1 PLC	±	2 PLC	±	3 PLC	±	4 PLC	±	ANGLES	±	FINISH	±	PRODUCT SPEC -	SIZE A2	CAGE CODE -
0 PLC	±																	
1 PLC	±																	
2 PLC	±																	
3 PLC	±																	
4 PLC	±																	
ANGLES	±																	
FINISH	±																	
MATERIAL -		APPLICATION SPEC -	DRAWING NO G-T101003X200000	RESTRICTED TO -														
-		WEIGHT -	SCALE 2:1	SHEET 1 OF 1														
-		CUSTOMER DRAWING	REV A															