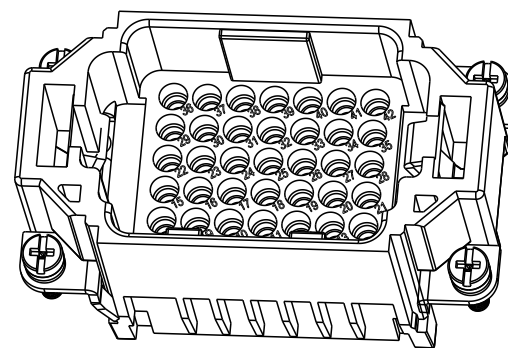
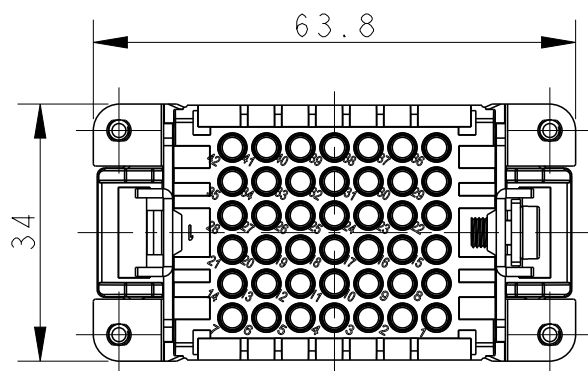


REVISIONS

P	LTR	DESCRIPTION	DATE	DWN	APVD
B		ECR-15-013292	24SEP2015	DL	CW
B1		ECR-16-018198	12FEB2017	OY	CW
C		ECR-21-105887	26JUL2021	BS	CW
D		ECR-22-150866	13SEP2022	DL	CW



M4 THREAD RECOMMENDED
TIGHTENING TORQUE 1.2Nm
M4螺丝, 推荐锁紧力矩1.2Nm

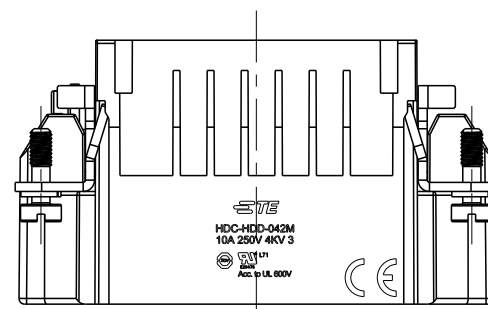
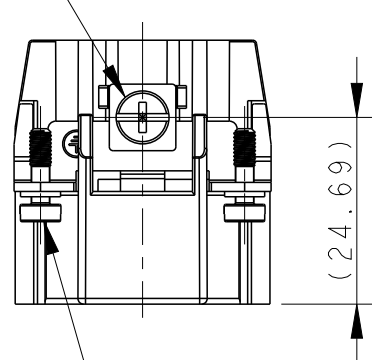
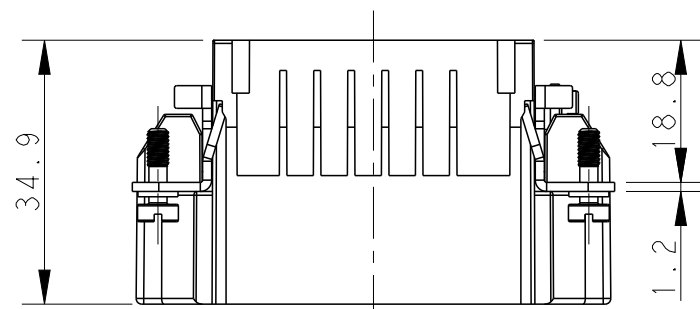
TYPE-1:T2030422101-000 TE LOGO
类型-1:T2030422101-000 TE LOGO

NOTES:

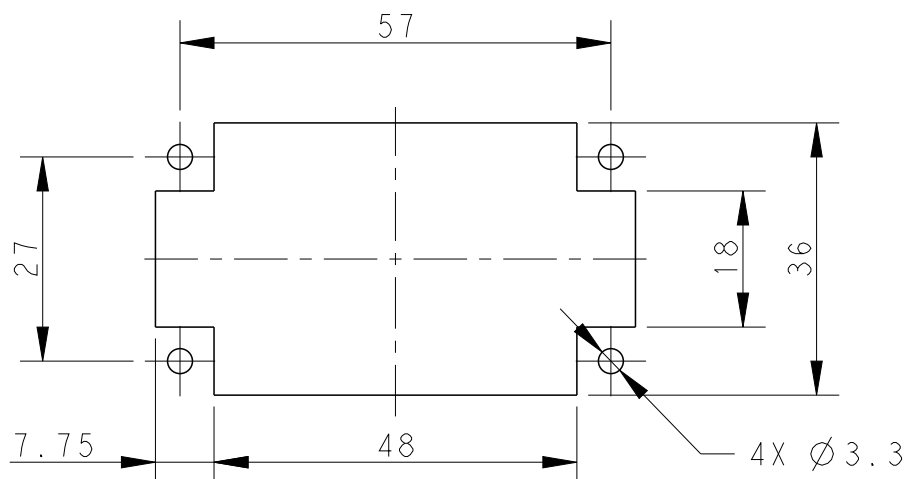
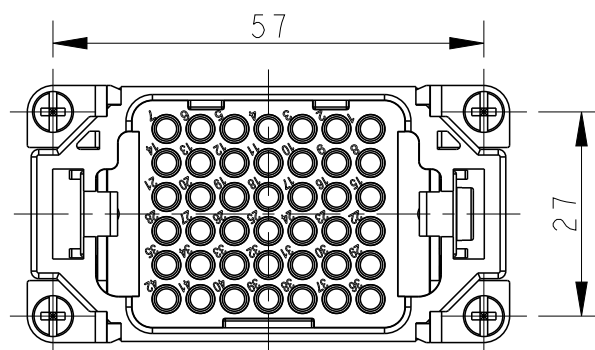
- TECHNICAL CHARACTERISTICS:
INSULATION MATERIAL: PC
RATED VOLTAGE: 250 V
RATED CURRENT: 10 A
INSULATION RESISTANCE: $\geq 400M\Omega$
RATED IMPULSE VOLTAGE: 4 KV
POLLUTION DEGREE: 3
FLAMMABILITY: UL94V-0
MATING CYCLES: 500 CYCLES
WIRE RANGE: 0.14-2.5 mm² (26-14 AWG)
CONTACT TYPE: CRIMP CONTACT
- CONTACT NEED TO BE ORDERED SEPARATELY.
(ORDER No. REFER TO DRAWING: T20200X10XX000)

注释:


- 技术参数:
绝缘材料: PC
额定电压: 250V
额定电流: 10A
绝缘电阻: $\geq 400M\Omega$
额定脉冲电压: 4 KV
污染等级: 3
阻燃等级: UL94V-0
插拔次数: 500次
接线范围: 0.14-2.5 mm² (26-14 AWG)
接线类型: 冷压接
- 端子需要单独订购.
(订货号参考图面: T20200X10XX000)



4X M3 THREAD RECOMMENDED
TIGHTENING TORQUE 0.5Nm
4X M3螺丝, 推荐锁紧力矩0.5Nm



PANEL CUT OUT FOR INSERTS FOR USING
WITHOUT HOODS/HOUSINGS
不使用防护外壳时芯件的安装开孔图

THIS DRAWING IS A CONTROLLED DOCUMENT.		DWN DAVID LI 18MAR2015	 TE Connectivity	
DIMENSIONS: mm		CHK CHRIS WANG 18MAR2015		
TOLERANCES UNLESS OTHERWISE SPECIFIED:		APVD XU XIANG 18MAR2015	NAME HDD-042-M	
0 PLC ±-		PRODUCT SPEC 108-137043	SIZE A3	
1 PLC ±-		APPLICATION SPEC 114-137043	CAGE CODE -	DRAWING NO. ©-T2030422101000
2 PLC ±-		MATERIAL -	RESTRICTED TO	
3 PLC ±-		FINISH -	SCALE 1:1	SHEET 1 OF 2
4 PLC ±-			CUSTOMER DRAWING	REV D
ANGLES ±-				

4

3

2

1

THIS DRAWING IS UNPUBLISHED.

RELEASED FOR PUBLICATION

20

© COPYRIGHT 20

BY -

ALL RIGHTS RESERVED.

REVISIONS


P	LTR	DESCRIPTION	DATE	DWN	APVD
-		SEE SHEET 1	-	-	-

ALL DIMENSIONS ARE SAME AS TYPE 1,
EXCEPT THOSE DEFINED IN THIS TYPE.
除了在本类型中定义的尺寸外, 其它尺寸同类型 1

NOTES:
SEE SHEET 1
注释:
见页 1

TYPE-2: T2030422101-001 STAINLESS STEEL SCREW, NO LOGO
类型-2: T2030422101-001 不锈钢螺丝, 无LOGO

T2030422101-001	HDD-042-M	HDD-042 MALE INSERT, STAINLESS STEEL SCREW, NO LOGO HDD-042公插, 不锈钢螺丝, 无LOGO	TYPE-2 类型-2
T2030422101-000	HDD-042-M	HDD-042 MALE INSERT HDD-042公插	TYPE-1 类型-1
PART NUMBER 料号	PART DESCRIPTION 描述		TYPE 类型

THIS DRAWING IS A CONTROLLED DOCUMENT.		DWN DAVID LI 18MAR2015	 TE Connectivity	
DIMENSIONS: mm		CHK CHRIS WANG 18MAR2015		
TOLERANCES UNLESS OTHERWISE SPECIFIED:		APVD XU XIANG 18MAR2015	NAME HDD-042-M	
0 PLC ±-		PRODUCT SPEC 108-137043	SIZE A3	
1 PLC ±-		APPLICATION SPEC 114-137043	CAGE CODE -	
2 PLC ±-		WEIGHT -	DRAWING NO T2030422101000	
3 PLC ±-		CUSTOMER DRAWING	RESTRICTED TO	
4 PLC ±-			SCALE 1:1	
ANGLES ±-		SHEET 2 OF 2		
FINISH		REV D		
MATERIAL		SCALE 1:1		
		SHEET 2 OF 2		
		REV D		

1470-19 (3/13)