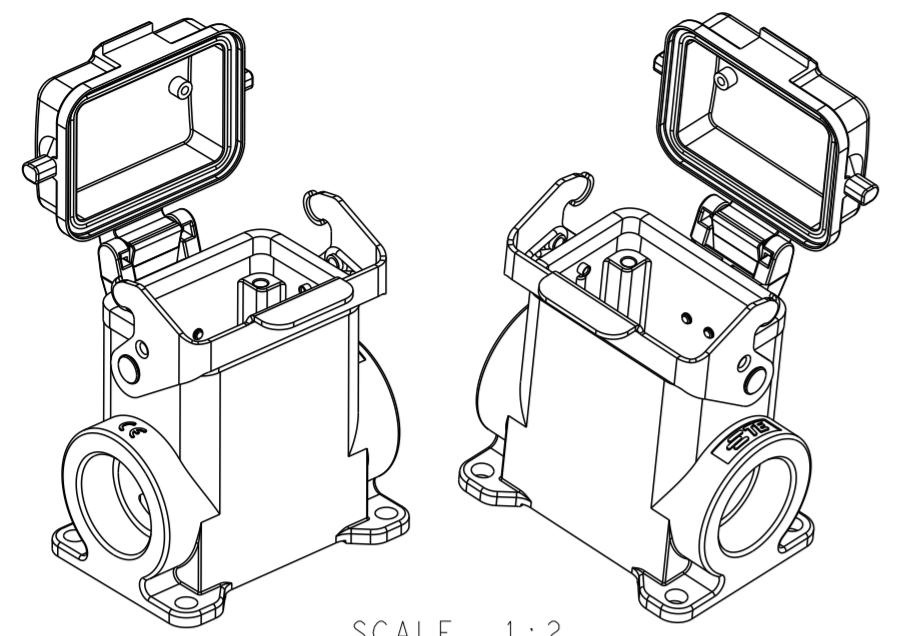
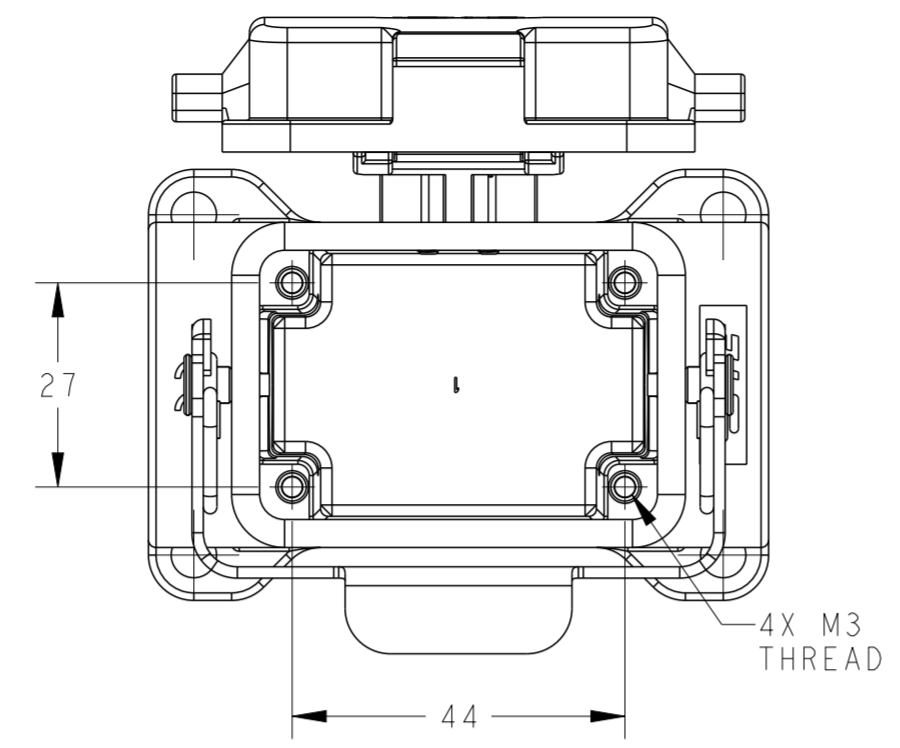


THIS DRAWING IS UNPUBLISHED. RELEASED FOR PUBLICATION 20
 © COPYRIGHT 20 BY - ALL RIGHTS RESERVED.

REVISIONS				
P	LTR	DESCRIPTION	DATE	APVD
A		INITIAL	23JUN2015	DW CW
B		ECR-20-007968	19JUN2020	WOR CW

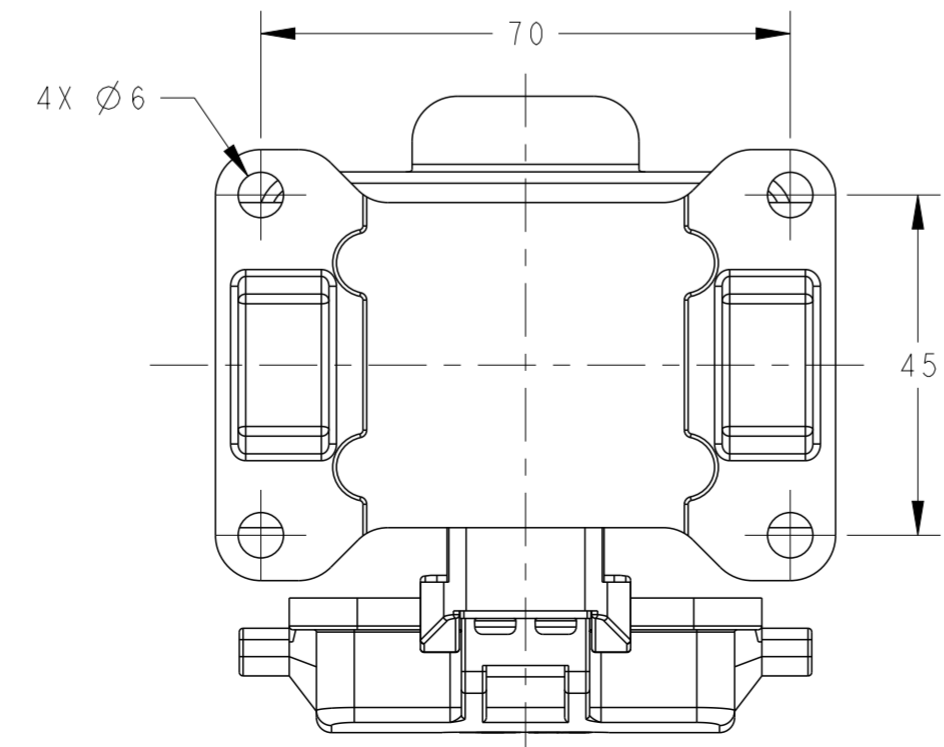
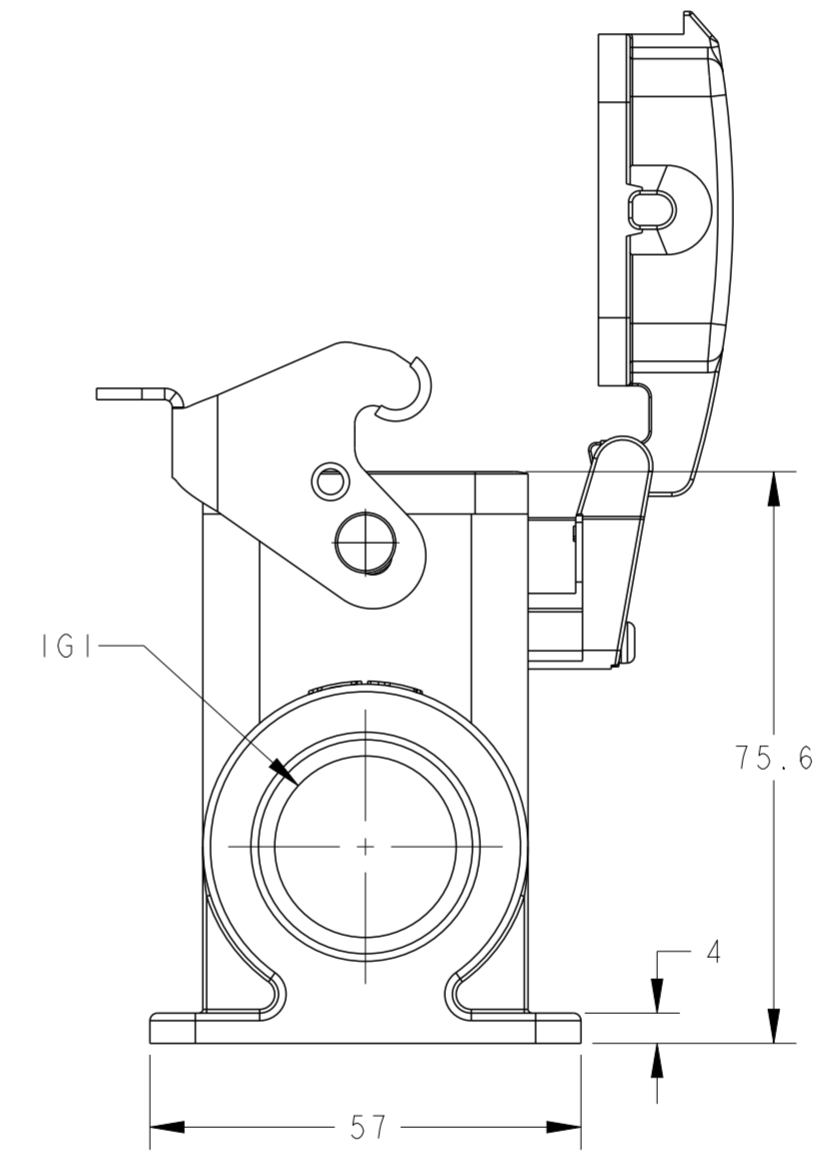
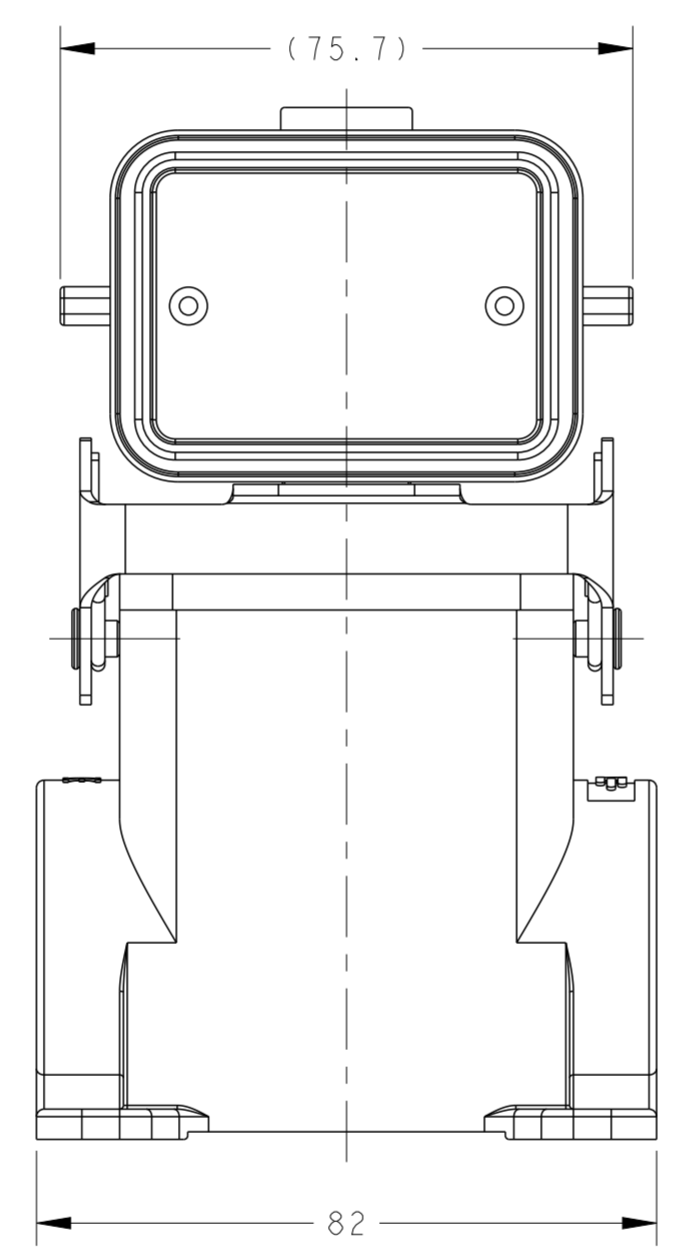
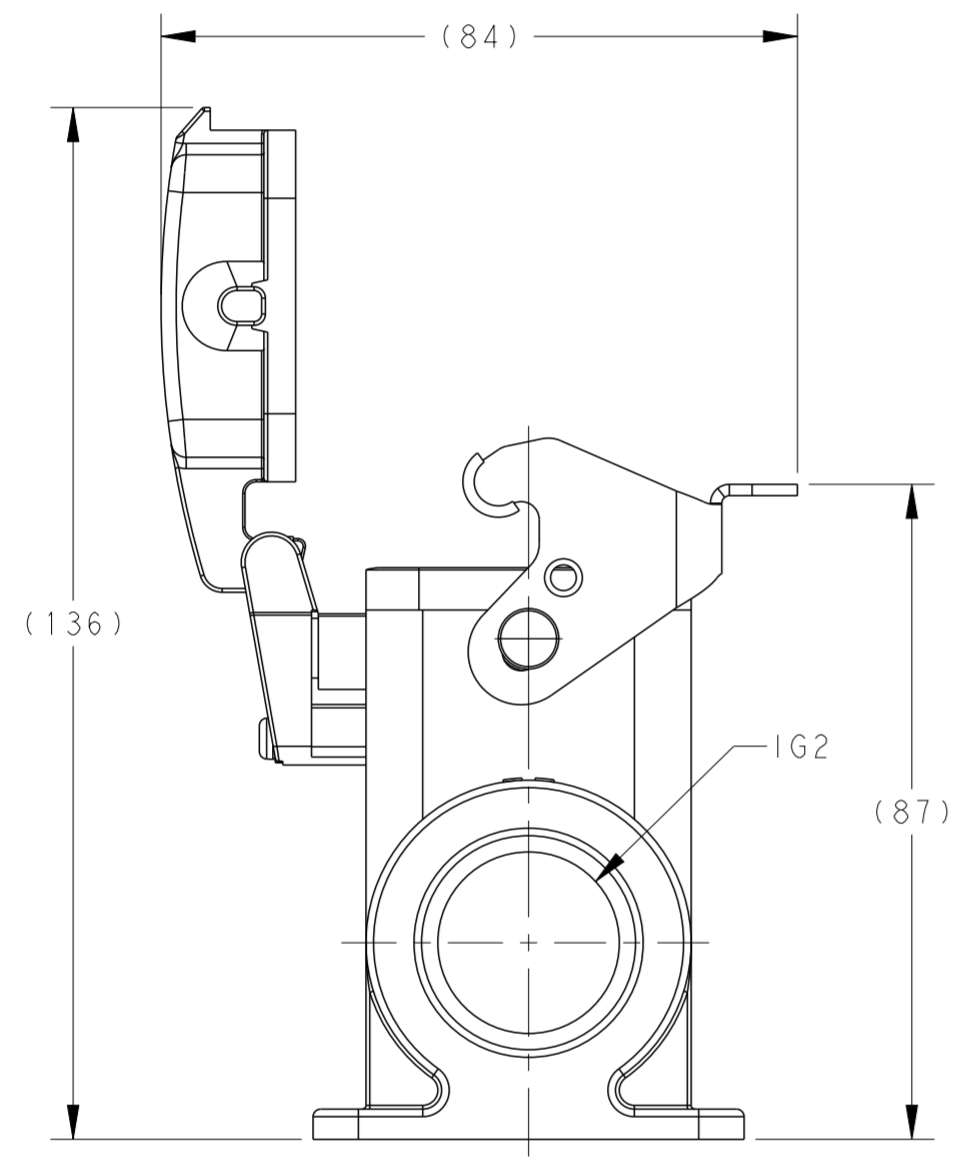


SCALE 1:2



NOTES:
 1. TECHNICAL CHARACTERISTICS:
 HOUSING MATERIAL: DIE CAST ALUMINIUM ALLOY
 SURFACE: POWDER COATED, GREY
 DEGREE OF PROTECTION: IP65 (MATED)

注释:
 1. 技术参数:
 下壳材料: 铝合金
 表面处理: 粉末涂层, 灰色
 防护等级: IP65 (配合)



T1660063121-000	H6B-SDRH-PG21	PG21	-
T1660063125-000	H6B-SDRH-M25	M25	-
T1660063129-000	H6B-SDRH-PG29	PG29	-
T1660063132-000	H6B-SDRH-M32	M32	-
T1660063221-000	H6B-SDRH-2PG21	PG21	PG21
T1660063225-000	H6B-SDRH-2M25	M25	M25
T1660063229-000	H6B-SDRH-2PG29	PG29	PG29
T1660063232-000	H6B-SDRH-2M32	M32	M32
PART NUMBER		DESCRIPTION	IG1 IG2

THIS DRAWING IS A CONTROLLED DOCUMENT.

DWN	23JUN2015	David Wang
CHK	23JUN2015	Chris Wang
APVD	23JUN2015	Xiang Xu

PRODUCT SPEC: 108-137013
 APPLICATION SPEC: 114-137013

MATERIAL: -
 FINISH: -

Customer Drawing

TE Connectivity

NAME: H6B-SDRH-M/PG

SIZE: A2 CAGE CODE: 00779 DRAWING NO: T1660063XXX000 RESTRICTED TO: -

SCALE: 1:1 SHEET: 1 OF 1 REV: B