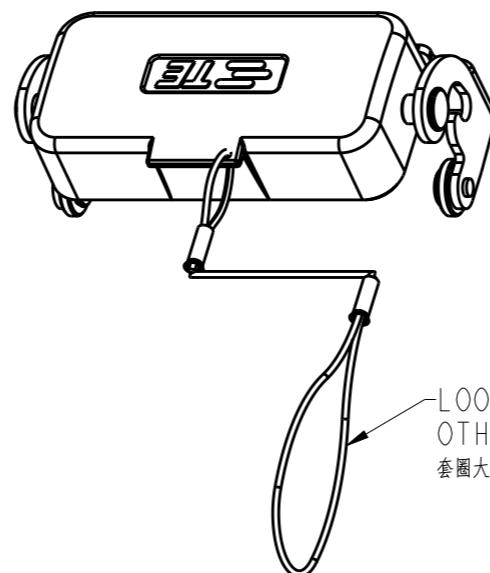
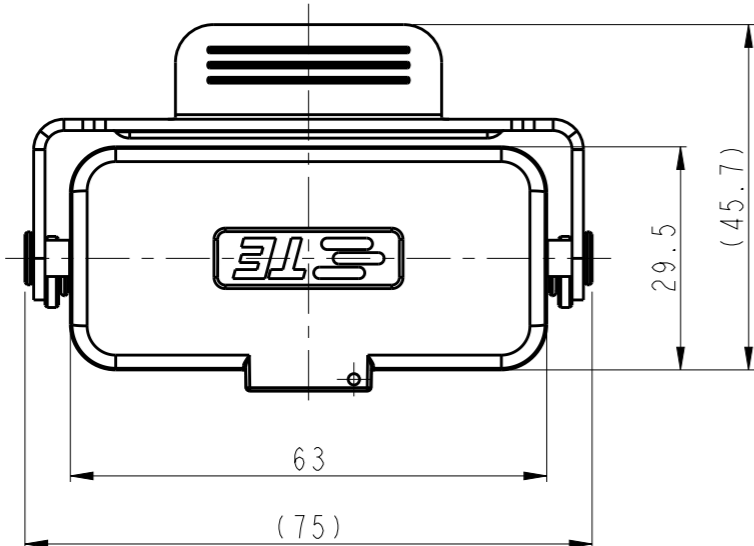
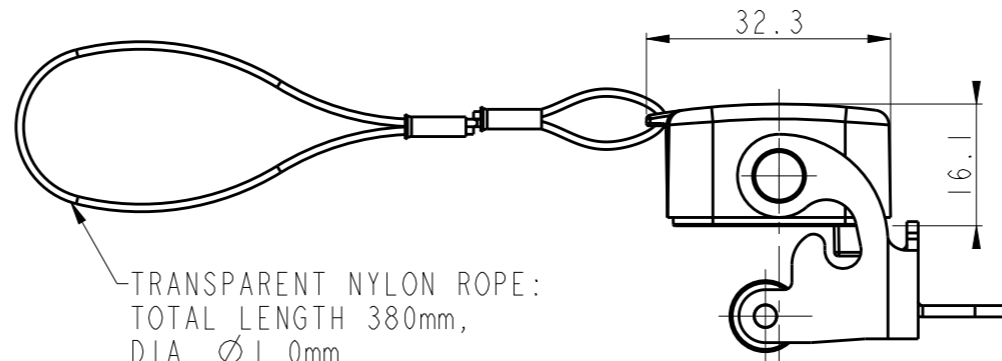
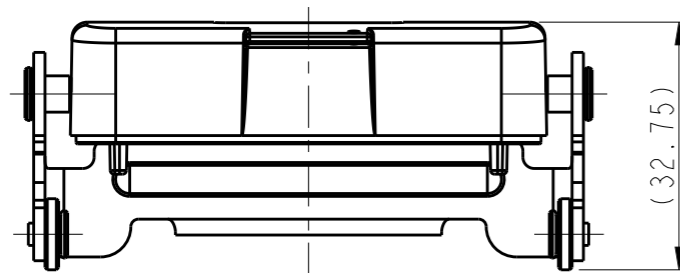


REVISIONS

| P | LTR | DESCRIPTION | DATE | DWN | APVD |
|---|-----|---------------|-----------|-----|------|
| | A | INITIAL | 23OCT2016 | CH | CW |
| | A1 | ECR-17-007543 | 31MAY2017 | CH | CW |
| | A2 | ECR-19-018119 | 28NOV2019 | CH | CW |



LOOP SIZE DEFAULT VALUE DIA. \varnothing 28.5,
OTHERWISE HAVE SPECIAL REQUIREMENT,
套圈大小默认值直径是 \varnothing 28.5, 除非有特别需求



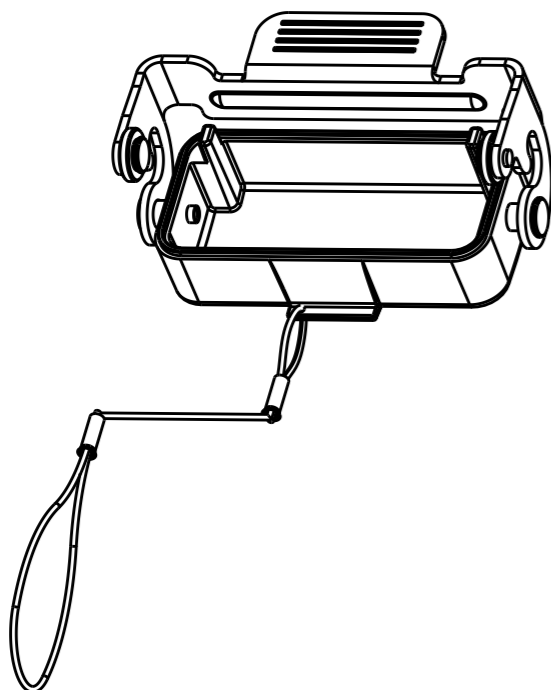
TRANSPARENT NYLON ROPE:
TOTAL LENGTH 380mm,
DIA. \varnothing 1.0mm
透明尼龙绳: 总长380mm, 直径 \varnothing 1.0mm

NOTES:

- TECHNICAL CHARACTERISTICS:
HOOD MATERIAL: DIE CAST ALUMINIUM
HOOD SURFACE: POWDER COATED, GREY
DEGREE OF PROTECTION: IP65 (MATED)


注释:

- 技术参数:
壳体材料: 铝合金
壳体表面处理: 灰色粉末喷涂
防护等级: IP65(配合)



| | | |
|-----------------|------------|--|
| T1019101201-001 | H10A-KDTMS | H10A HOOD METAL PROTECTION COVER, STAINLESS STEEL SINGLE LOCKING, WITHOUT SEALING, NYLON ROPE, GREY H10A上壳金属保护盖, 不锈钢单扣, 不带密封, 尼龙绳, 灰色 |
|-----------------|------------|--|

| | |
|-------------------|------------------------|
| PART NUMBER 料号 | PART DESCRIPTION 描述 |
|-------------------|------------------------|

| | | | | | | | | | | | | | | |
|--|-------------|------------------------------|--|------|-----------|------------|---------------|----|-------|------------------|-------|----|--------|----|
| THIS DRAWING IS A CONTROLLED DOCUMENT. | | DWN 23OCT2016 CHARLIE.HU |  TE Connectivity NAME H10A-KDTMS | | | | | | | | | | | |
| DIMENSIONS: mm | | CHK 23OCT2016 KYLE.ZENG | | | | | | | | | | | | |
| TOLERANCES UNLESS OTHERWISE SPECIFIED: | | APVD 23OCT2016 CHRIS.WANG | | | | | | | | | | | | |
| <table border="1"> <tr> <td>0 PLC</td> <td>±-</td> </tr> <tr> <td>1 PLC</td> <td>±-</td> </tr> <tr> <td>2 PLC</td> <td>±-</td> </tr> <tr> <td>3 PLC</td> <td>±-</td> </tr> <tr> <td>4 PLC</td> <td>±-</td> </tr> <tr> <td>ANGLES</td> <td>±-</td> </tr> </table> | | 0 PLC | | ±- | 1 PLC | ±- | 2 PLC | ±- | 3 PLC | ±- | 4 PLC | ±- | ANGLES | ±- |
| 0 PLC | ±- | | | | | | | | | | | | | |
| 1 PLC | ±- | | | | | | | | | | | | | |
| 2 PLC | ±- | | | | | | | | | | | | | |
| 3 PLC | ±- | | | | | | | | | | | | | |
| 4 PLC | ±- | | | | | | | | | | | | | |
| ANGLES | ±- | | | | | | | | | | | | | |
| MATERIAL - | FINISH - | WEIGHT - | <table border="1"> <tr> <td>SIZE</td> <td>CAGE CODE</td> <td>DRAWING NO</td> <td>RESTRICTED TO</td> </tr> <tr> <td>A3</td> <td>-</td> <td>©-T1019101201001</td> <td></td> </tr> </table> | SIZE | CAGE CODE | DRAWING NO | RESTRICTED TO | A3 | - | ©-T1019101201001 | | | | |
| SIZE | CAGE CODE | DRAWING NO | RESTRICTED TO | | | | | | | | | | | |
| A3 | - | ©-T1019101201001 | | | | | | | | | | | | |
| CUSTOMER DRAWING | | SCALE 1:1 | SHEET 1 OF 1 REV A2 | | | | | | | | | | | |